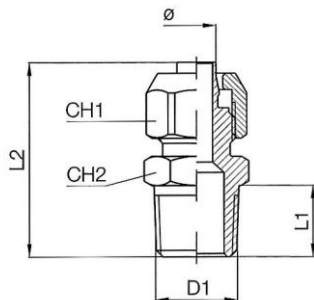


**Supplied without seals. For use with corrosive media and at high temperatures.**

Screw fitting series made of stainless steel for all applications, where compliance with strict tightness, pressure and temperature requirements is essential.

The parts are manufactured without rubber seals, in other words they are ideal for very high temperatures or for use with corrosive liquids, e.g. in cases when FPM is no longer suitable.

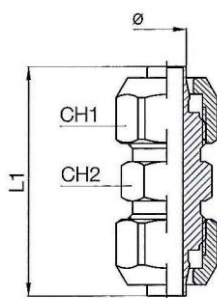
Material:	Stainless steel 1.4404
Sealant	Pure metal
Max. working pressure	25 bar
Temperature range	-40 °C to 200 °C
Recommended hose	PTFE



11.118-6 ESH

**Male connector, conical male thread acc. to ISO 7-1, stainless steel**

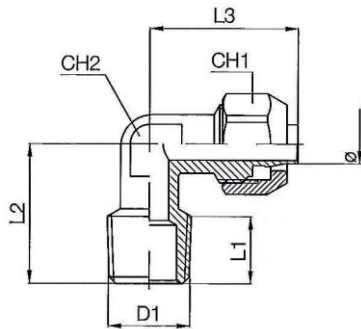
Art. No.	Type No.	For hose mm	Thread D1	L1 mm	L2 mm	CH1 mm	CH2 mm	Weight g
110688	11.118-6 ESH	6/4	R 1/8	7.5	26.0	12	10	12.0
110689	11.118-8 ESH	8/6	R 1/8	7.5	26.5	14	13	16.5
110690	11.114-6 ESH	6/4	R 1/4	11.0	29.5	12	14	18.0
110691	11.114-8 ESH	8/6	R 1/4	11.0	30.0	14	14	20.5
110692	11.114-10 ESH	10/8	R 1/4	11.0	32.5	16	14	24.0
110693	11.138-10 ESH	10/8	R 3/8	11.5	33.0	16	17	30.0



11.300-6 ESH

**Union, stainless steel**

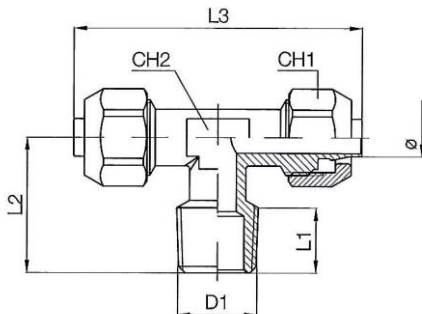
Art. No.	Type No.	For hose mm	L1 mm	CH1 mm	CH2 mm	Weight g
110694	11.300-6 ESH	6/4	34.0	12	10	20.0
110695	11.300-8 ESH	8/6	35.0	14	12	26.0
110696	11.300-10 ESH	10/8	39.0	16	14	36.0



13.114-8 ESH

Male elbow, conical male thread acc. to ISO 7-1, stainless steel

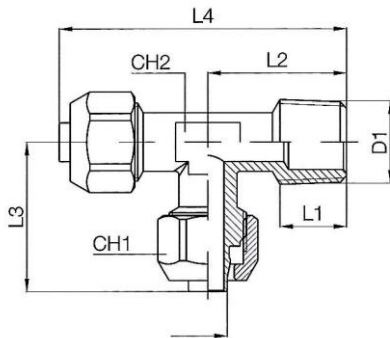
Art. No.	Type No.	For hose mm	Thread D1	L1 mm	L2 mm	L3 mm	CH1 mm	CH2 mm	Weight g
110697	13.118-6 ESH	6/4	R 1/8	7.5	17.0	23.0	12	10	17.0
110698	13.118-8 ESH	8/6	R 1/8	7.5	17.0	23.0	14	10	18.0
110699	13.114-6 ESH	6/4	R 1/4	11.0	21.5	23.0	12	10	20.0
110700	13.114-8 ESH	8/6	R 1/4	11.0	21.5	23.0	14	10	21.0
110701	13.114-10 ESH	10/8	R 1/4	11.0	21.5	26.0	16	12	25.0



14.114-8 ESH

Male branch tee, conical male thread acc. to ISO 7-1, stainless steel

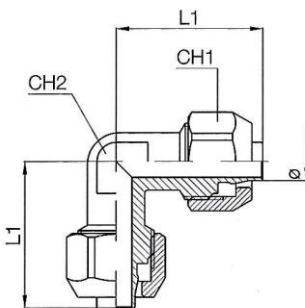
Art. No.	Type No.	For hose mm	Thread D1	L1 mm	L2 mm	L3 mm	CH1 mm	CH2 mm	Weight g
110702	14.118-6 ESH	6/4	R 1/8	8.0	17.0	46.0	12	10	29.0
110703	14.118-8 ESH	8/6	R 1/8	8.0	17.0	46.0	14	10	30.0
110704	14.114-6 ESH	6/4	R 1/4	11.0	21.5	46.0	12	10	32.0
110705	14.114-8 ESH	8/6	R 1/4	11.0	21.5	46.0	14	10	34.0
110706	14.114-10 ESH	10/8	R 1/4	11.0	21.5	52.0	16	12	40.0



15.114-6 ESH

### Male run tee, conical male thread acc. to ISO 7-1, stainless steel

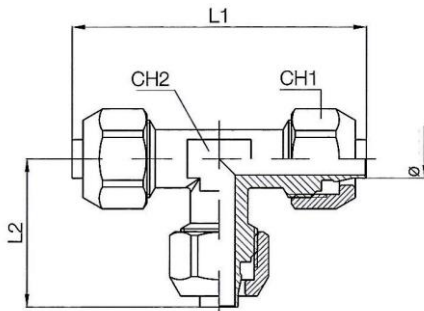
Art. No.	Type No.	For hose mm	Thread D1	L1 mm	L2 mm	L3 mm	L4 mm	CH1 mm	CH2 mm	Weight g
110707	15.118-6 ESH	6/4	R 1/8	8.0	17.0	23.0	40.0	12	10	29.0
110708	15.118-8 ESH	8/6	R 1/8	8.0	17.0	23.0	40.0	14	10	30.0
110709	15.114-6 ESH	6/4	R 1/4	11.0	21.5	23.0	44.5	12	10	32.0
110710	15.114-8 ESH	8/6	R 1/4	11.0	21.5	23.0	44.5	14	10	34.0
110711	15.114-10 ESH	10/8	R 1/4	11.0	21.5	26.0	47.5	16	12	40.0



13.800-6 ESH

### Union elbow, stainless steel

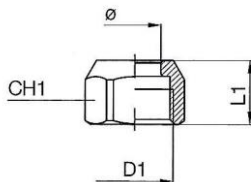
Art. No.	Type No.	For hose mm	L1 mm	L2 mm	CH1 mm	CH2 mm	Weight g
110712	13.800-6 ESH	6/4	22.5	22.5	12	10	25.0
110713	13.800-8 ESH	8/6	23.0	23.0	14	10	27.0
110714	13.800-10 ESH	10/8	26.0	26.0	16	10	33.0



14.800-8 ESH

Union tee, stainless steel

Art. No.	Type No.	For hose mm	L1 mm	L2 mm	CH1 mm	CH2 mm	Weight g
110715	14.800-6 ESH	6/4	46.0	22.5	12	10	36.0
110716	14.800-8 ESH	8/6	46.0	23.0	14	10	39.0
110717	14.800-10 ESH	10/8	52.0	26.0	16	12	49.0



16.012-8 ESH

Swivel nut, stainless steel

Art. No.	Type No.	For hose mm	Thread D1	L1 mm	CH1 mm	Weight g
110718	16.010-6 ESH	6/4	M10x1.0	10.0	12	4.0
110719	16.012-8 ESH	8/6	M12x1.0	10.0	14	5.0
110720	16.014-10 ESH	10/8	M14x1.0	11.0	16	7.0